



## **Continuous Solvent Recycler**

### **CSR 205V**

This continuous solvent recycler is an evaporative distillation process unit. The waste solvent automatically enters the distillation vessel utilizing the standard vacuum pump provided with the solvent recovery still.

The heated thermal oil recirculates in the distillation vessel jacket. The solvent sludge is heated to a programmed temperature to create vapour. The solvent vapour exits the boiler and travels through a condenser.

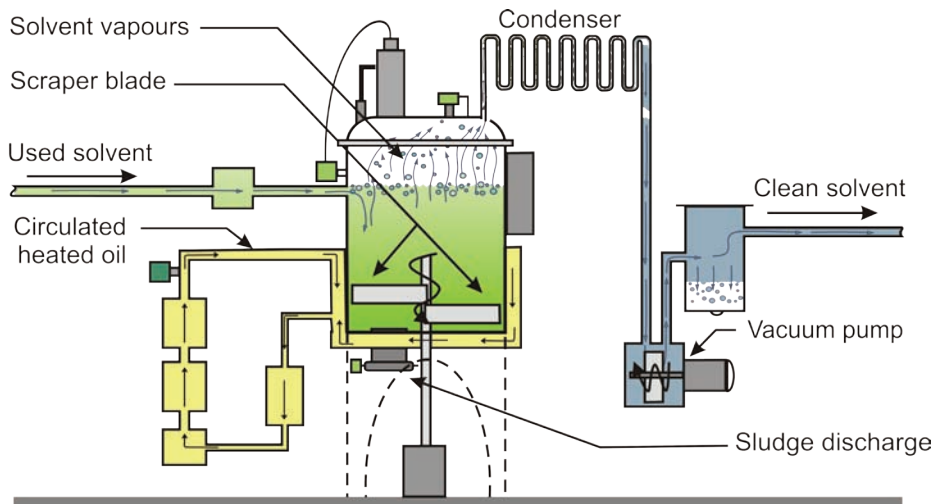
Clean, condensed solvent exits to a storage vessel ready for reuse. This entire process is controlled by a PLC.

The product features that distinguish the ISTpure line of solvent recyclers :

- ✓ **Recovery rate** : 99.5% and more.
- ✓ **Virtually maintenance free.**
- ✓ **Recycle time** : 4 to 6 hours.
- ✓ **Eliminates 90 %** of toxic waste.
- ✓ **Recycles most popular solvents**, including mineral spirit, flexo & litho solvents.
- ✓ **Return on investment** : less than one year and Kw consumption less than 2 cents per gallon.
- ✓ **Safety standards** : Class 1, Div. 1, Group D.

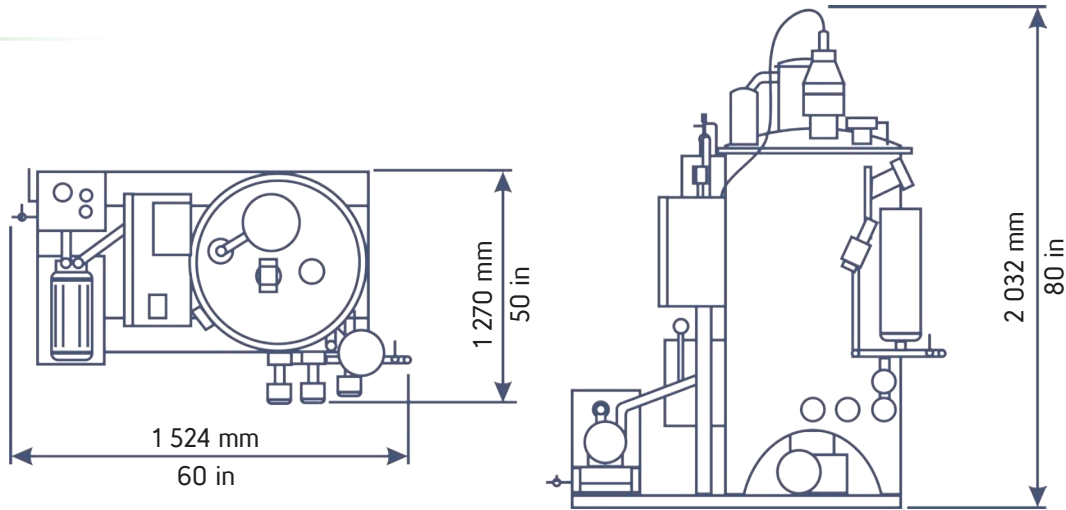
We always evaluate your solvents and contaminants MSDS sheets prior to recommending the proper system. It is very important to also identify the possible presence of nitrocellulose and acids in your dirty solvent mix.

## How it works



Contact us today to evaluate your solvent purchases and calculate your annual savings potential !

## Floor layout



SPECIFICATIONS	Metric	US	Description	Metric	US
Working capacity	189 L	50 gal	Voltage	480 or 600 V – 3 ph – 60Hz	
Working temperature	50°- 200°C / 122°- 392°F		Power Consumption	15 000 W	
Certification	Classe 1, Div. 1, Group D		Amperage	80 A (480V) / 80 A (600V)	
Cycle time	4 to 5 h (estimated)		Weight	636 kg	1 400 lbs
Average output	12 to 16 gallons per hour		Indirect heating	Thermic oil : 30 gal/113 L	